

FAN CONFIGURATION:

N° of fans: 1
 Motor type: AC
 Max. energy consumption: 0,025kW
 Power requirements: 230V/50-60Hz
 Max. input current: 0,11A
 Impeller: Diam. 133 mm-Centrifugal backward curved

FILTER CONFIGURATION:

Pre-filter: Coarse 60% (ISO 16890) / G4 (EN779)
 Gas & odor filter: GRSYSTEM2
 Absolute filter: HEPA H14 (EN1822) with virucidal nanofibres

- All frame filters in galvanized steel
 - Absolute filter with individual number and test report

GENERAL SPECIFICATIONS:

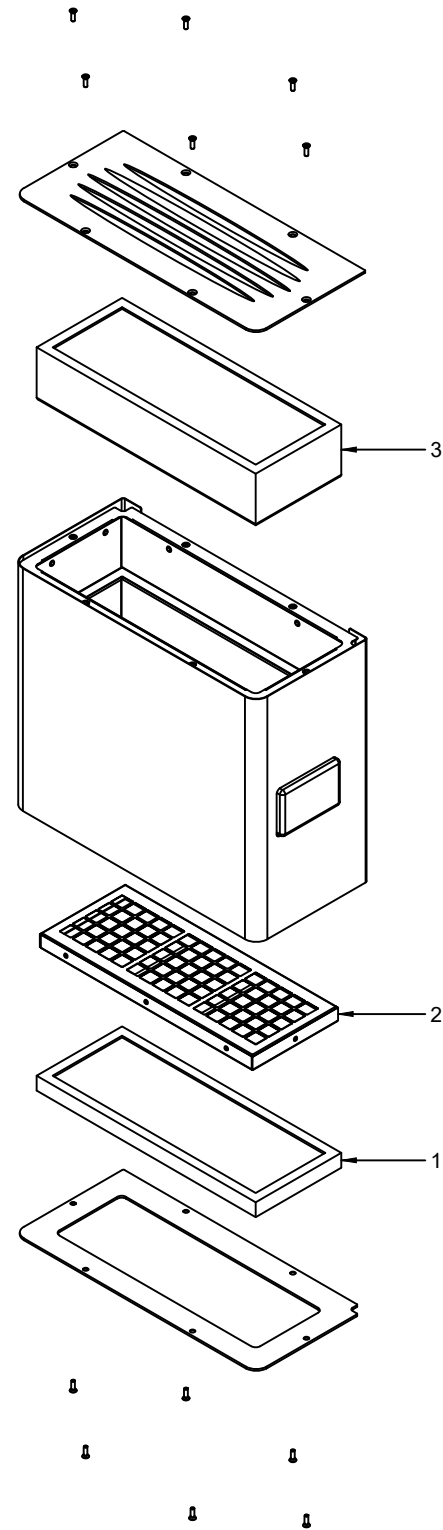
- Dimensions: H393 x W 468 x D 209 mm
 - Box dimensions: H 455 x W 540 x D 300 mm
 - Net weight: 11Kg / Gross weight: 13Kg
 - Housing material: Non off-gasing impact-resistant in galvanized steel painted in white RAL9016
 - Insulating foam according to fire test NF P 92-501

FEATURES:

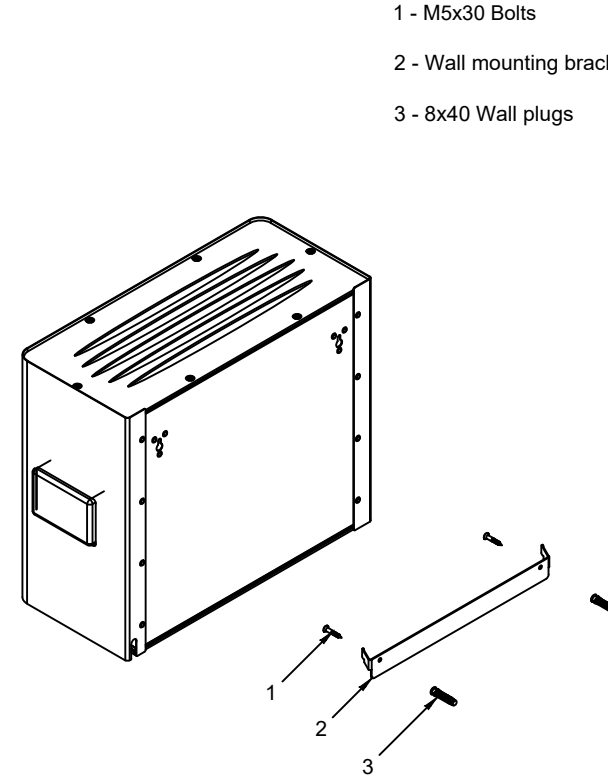
- Plug & Play: power cord of 1m with plug
 - One anchor wall
 - Dimmer regulator with ON/OFF and 10 levels of Airflow

PERFORMANCE:

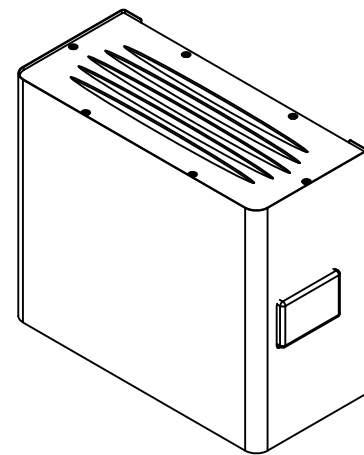
- Maximum airflow tested with all filters installed
 - Leak tested (individually tested with all filters installed)



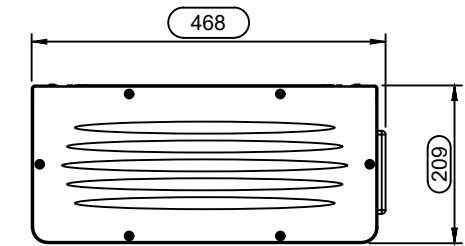
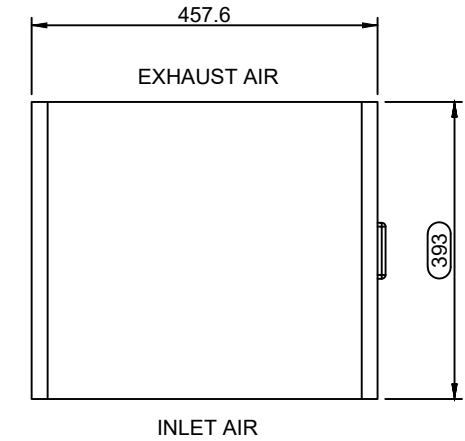
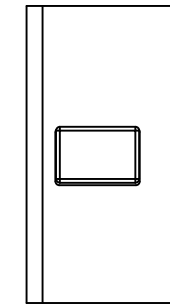
- 1 - Coarse 60%
- 2 - GRSYSTEM 2
- 3 - HEPA H14



- 1 - M5x30 Bolts
- 2 - Wall mounting bracket
- 3 - 8x40 Wall plugs



1:10



| FAN SPEED LEVEL | 2 | 3 | 4 | 5 | 6 | 7 | 8 | 9 | 10 |
|-----------------|------|----|------|------|------|------|------|------|------|
| Air Flow (m3/h) | 15 | 22 | 30 | 38 | 44 | 53 | 60 | 69 | 75 |
| Lp (3m) (dB(A)) | 12.9 | 14 | 20.2 | 21.9 | 25.9 | 29.8 | 32.7 | 35.6 | 38.4 |

NOTES:

1- G4 and GRSYSTEM maintenance is performed by the top panel of the unit.
 2- H14 maintenance is performed by the bottom panel of the unit

Date: 19/05/2022

Drawing for: LE

Checked: SL

Din-A3
 Escala: 1:10

Model: AIR+ 50

Version: V.05

Product code: VTPR500000001

