

FAN CONFIGURATION:

N° of fans: 1
Motor type: EC (Electronically Commuted)
Max. energy consumption: 0,165kW
Power requirements: 230V/50-60Hz
Max. input current: 1,38A
Impeller: Diam. 190 mm-Centrifugal backward curved

FILTER CONFIGURATION:

Pre-filter: Coarse 60% (ISO 16890) / G4 (EN779)
Gas & odor filter: GRSYSTEM 2
Absolute filter: ULPA U15 (EN1822) with virucidal nanofibres

- All frame filters in galvanized steel
- Absolute filter with individual number and test report

GENERAL SPECIFICATIONS:

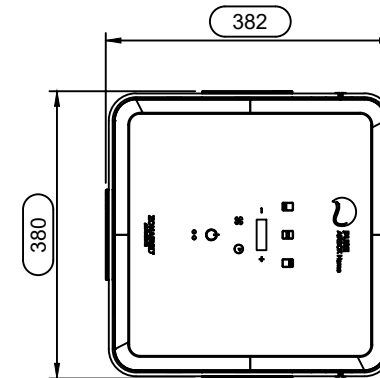
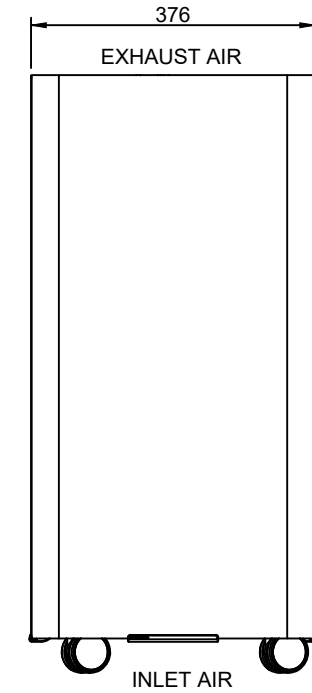
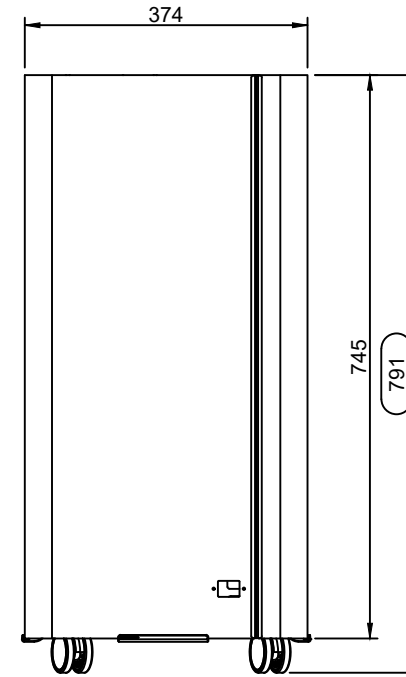
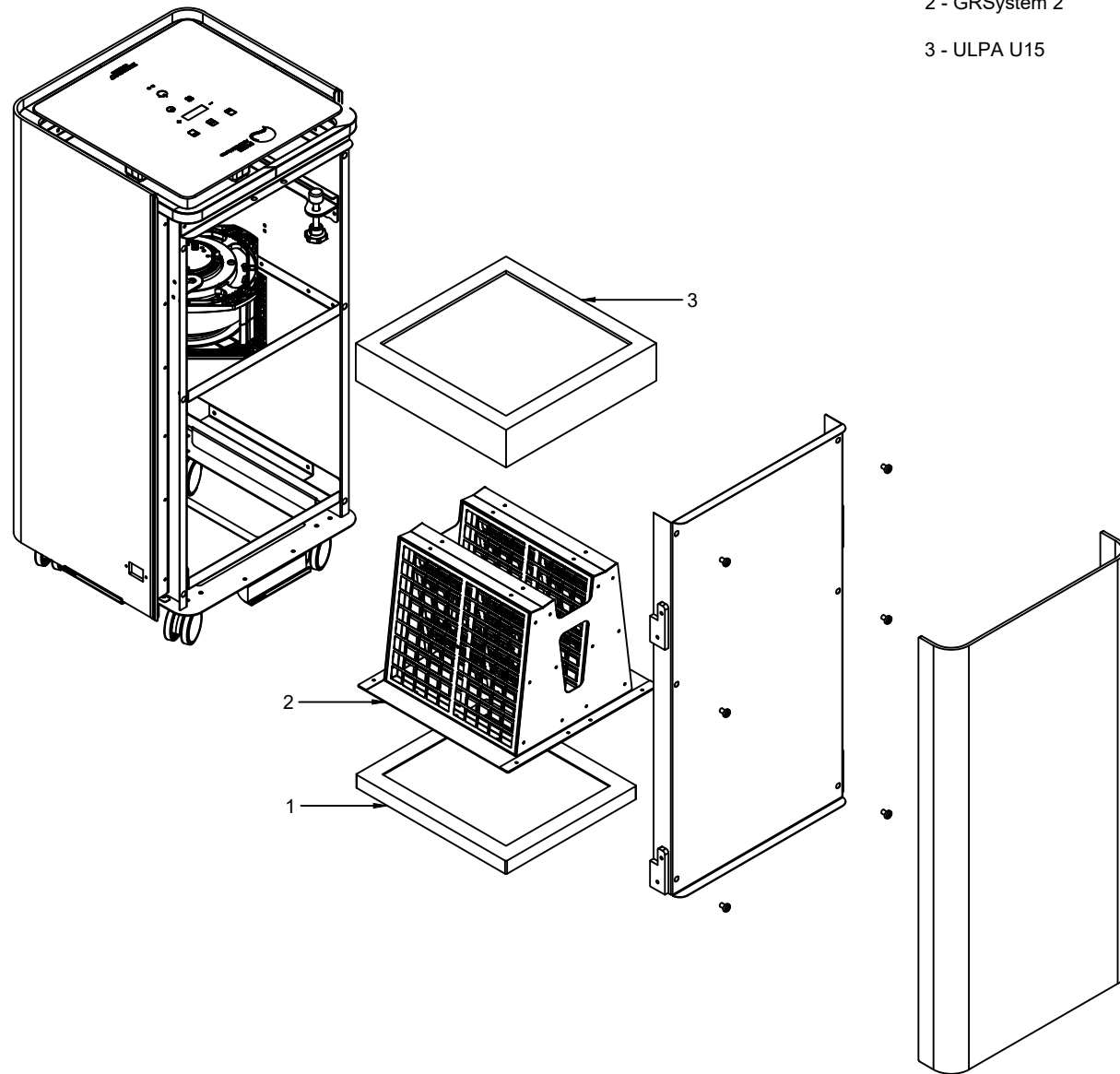
- Dimensions: H791 x W 382 x D 380 mm
- Box dimensions: H 890 x W 465 x D 465 mm
- Net weight: 30Kg / Gross weight: 32Kg
- Housing material: ABS and glass

FEATURES:

- Plug & Play
- Touch screen: ON/OFF, speed, timer
- Electrical power cord IEC C14

PERFORMANCE:

- Air delivery certified (tested with all filters installed)
- Leak tested (individually tested with all filters installed)



FAN SPEED LEVEL	1	2	3	4	5	6	7	8	9	10
Air Flow (m3/h)	70	105	150	195	240	290	325	355	410	430
Lp (3m) (dB(A))	23.7	31.8	36.7	39.2	43.0	45.6	47.8	50.2	51.5	51.6

NOTES:

1- The filter maintenance is performed through the rear panel.

Date: 19/05/2022

Drawing for: LE

Checked: SL

Din-A3
Escala: 1:10

Model: AIR+ 430S

Version: V.05

Product code: VTPBHS5000001

