

FAN CONFIGURATION:

N° of fans: 3
Motor type: EC (Electronically Comnuted)
Max. energy consumption: 2,25kW
Power requirements: 230V/50-60Hz
Max. input current: 9,9A
Impeller: Diam. 250 mm-Centrifugal backward curved

FILTER CONFIGURATION:

Pre-filter: Coarse 60% (ISO 16890) / G4 (EN779)
Gas & odor filter: GRSsystem2
Particle filter: ePM2,5 ≥65% (ISO16890): F7 (EN779)
Absolute filter: HEPA H14 (EN1822) with virucidal nanofibres

- All frame filters in galvanized steel
- Absolute filter with individual number and test report

GENERAL SPECIFICATIONS:

- Dimensions: H 414 x W 1174 x D 1504 mm
- Box dimensions: H 440 x W 1200 x D 1600 mm
- Net weight: 180Kg / Gross weight: 185Kg
- Housing material: Non off-gasing impact-resistant in galvanized steel painted in white RAL9016
- Insulating foam according to fire test NF P 92-501

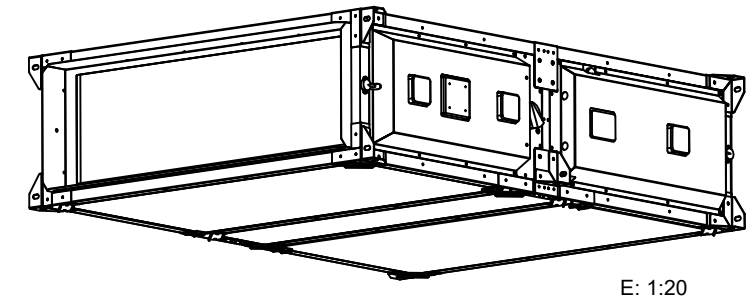
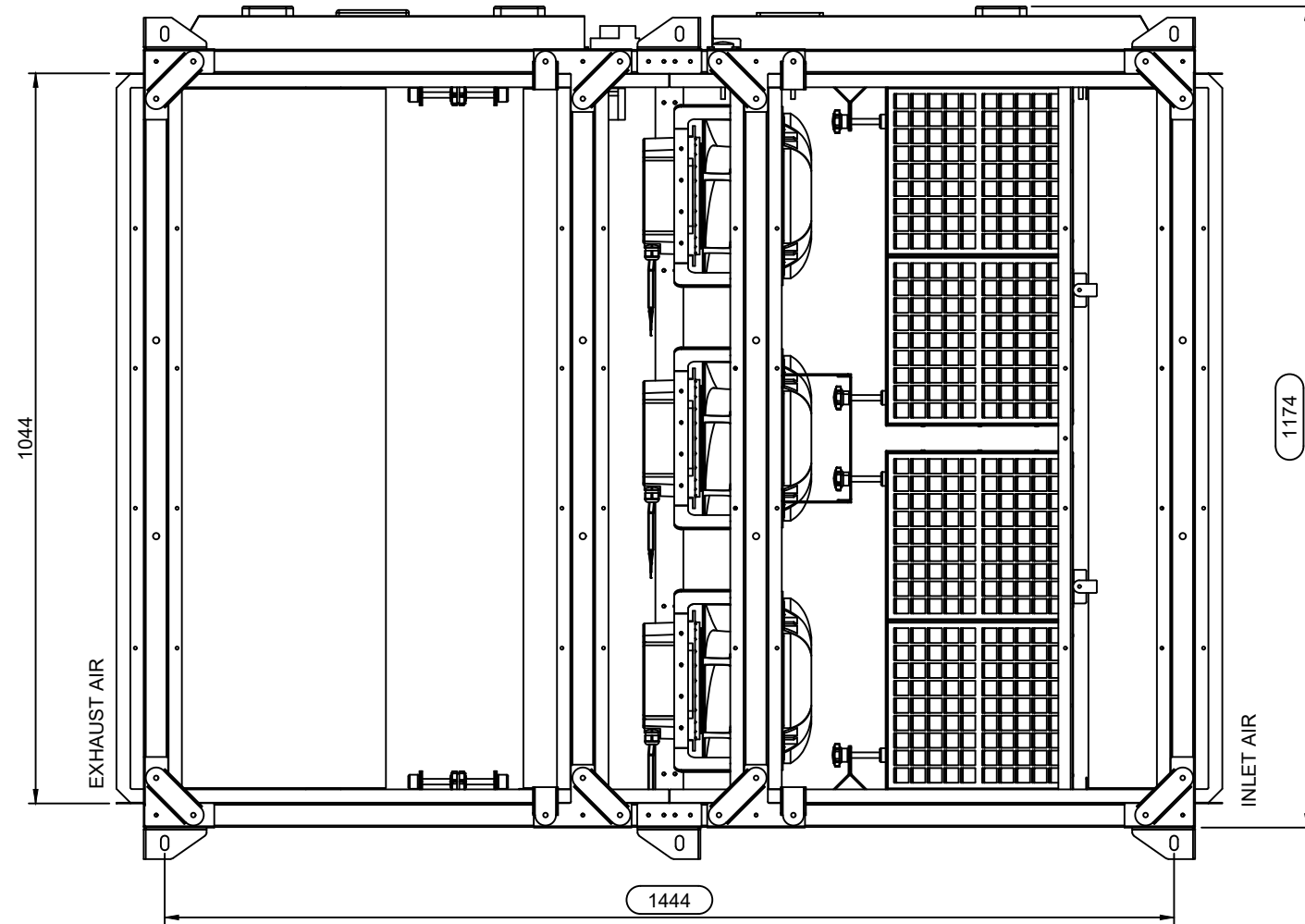
FEATURES:

- Plug & Play: pre-installed pressure switches & power cord
pre-installed IAQ controler cable (ON/OFF & advisor filter)
- Filter life monitor:
H14 + GRS2 + G4; filters change status LED's
- Air intake and outlet ready to duct (1043x336mm)
- Includes 10 brackets for ceiling fixation

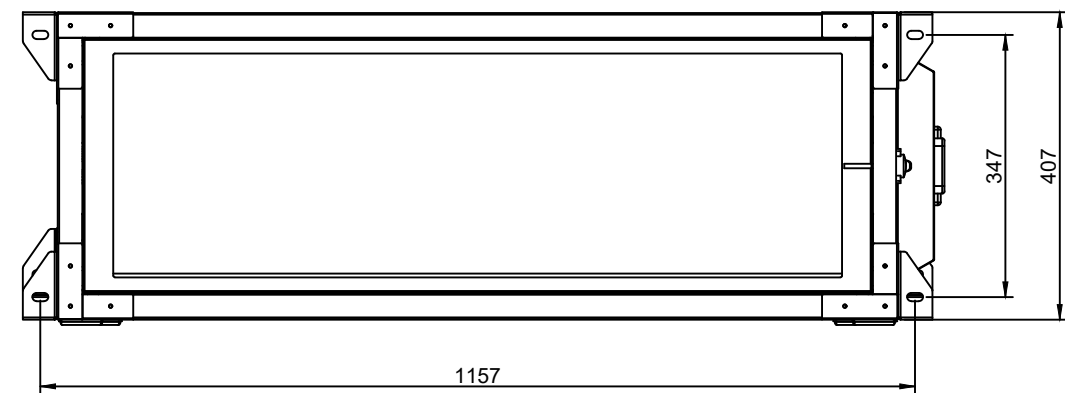
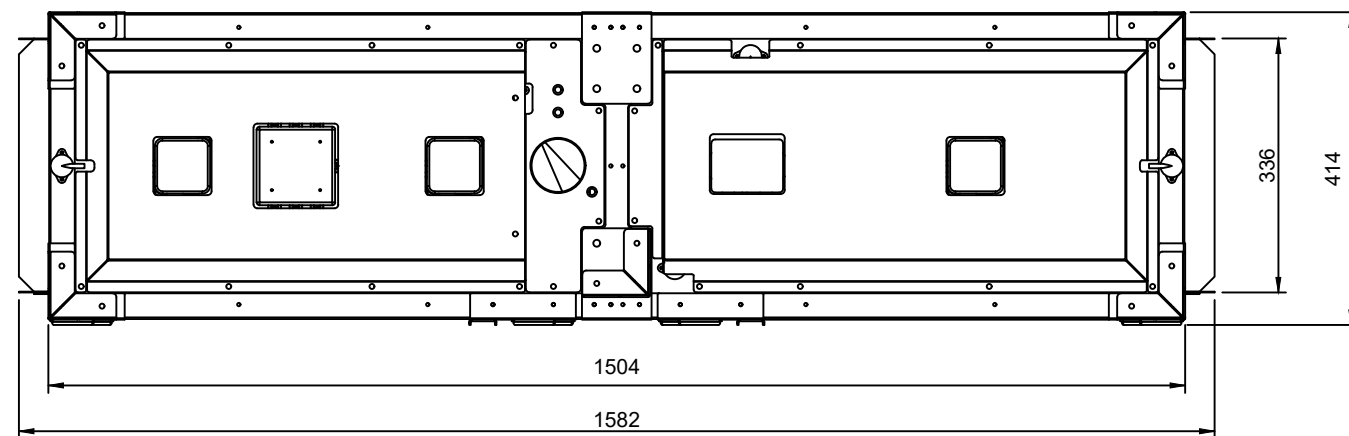
PERFORMANCE:

- Constant airflow 3000 m3/h
- Available pressure (half life filters) 396,5Pa
- Air delivery certified (tested with all filters installed)
- Leak tested (individually tested with all filters installed)

ACOUSTIC LEVELS: pending of evaluation



E: 1:20



NOTES:

- 1- The filter maintenance is performed through the bottom panels of the unit.
- 2- Possibility of integration of an indoor quality monitoring and control system by ZONAIR3D.

Date: 16/02/2022

Drawing for: LE

Checked: SL

Din-A3
Escala: 1:10

Model: AIR PRO 3000

Version: V.03

Product code: VTPC300V00001

