

**FAN CONFIGURATION:**

N° of fans: 1  
 Motor type: AC  
 Max. energy consumption: 0,026kW  
 Power requirements: 230V/50-60Hz  
 Max. input current: 0,12A  
 Impeller: Diam. 133 mm-Centrifugal backward curved

**FILTER CONFIGURATION:**

Pre-filter: Coarse 60% (ISO 16890) / G4 (EN779)  
 Gas & odor filter: GRSYSTEM2  
 Absolute filter: HEPA H14 (EN1822) with virucidal nanofibres

- All frame filters in galvanized steel  
 - Absolute filter with individual number and test report

**GENERAL SPECIFICATIONS:**

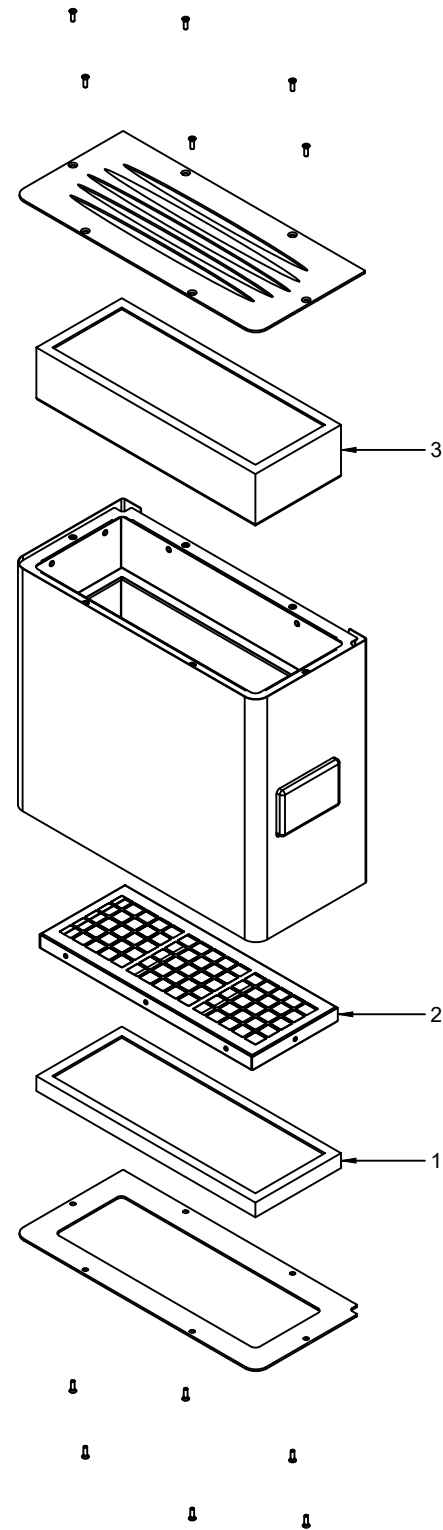
- Dimensions: H393 x W 468 x D 209 mm  
 - Box dimensions: H 455 x W 540 x D 300 mm  
 - Net weight: 11Kg / Gross weight: 13Kg  
 - Housing material: Non off-gasing impact-resistant in galvanized steel painted in white RAL9016  
 - Insulating foam according to fire test NF P 92-501

**FEATURES:**

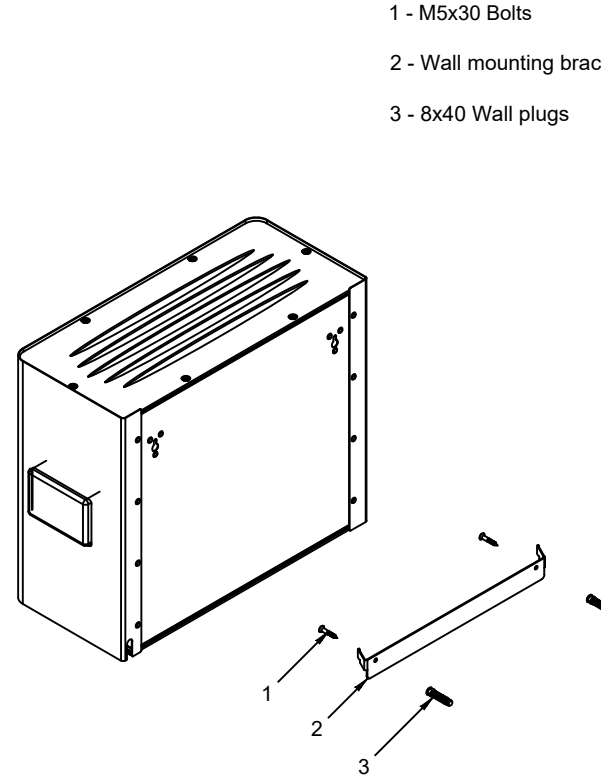
- Plug & Play: power cord of 1m with plug  
 - One anchor wall  
 - Dimmer regulator with ON/OFF and 10 levels of Airflow

**PERFORMANCE:**

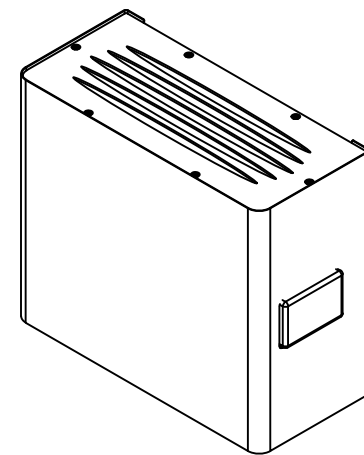
- Maximum airflow tested with all filters installed  
 - Leak tested (individually tested with all filters installed)



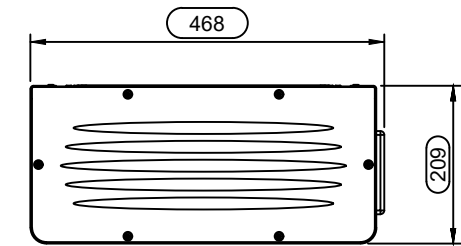
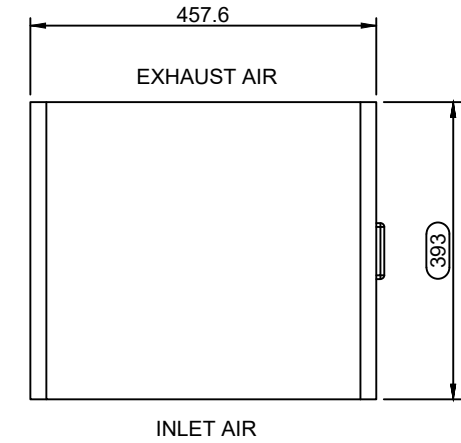
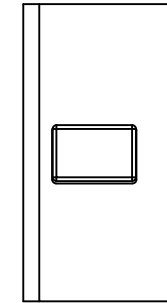
- 1 - Coarse 60%
- 2 - GRSYSTEM 2
- 3 - HEPA H14



- 1 - M5x30 Bolts
- 2 - Wall mounting bracket
- 3 - 8x40 Wall plugs



1:10



Fan Speed Level	Air Flow (m3/h)	Sound Pressure 3m dB(A)
10	85	38,1

**NOTES:**

1- G4 and GRSYSTEM maintenance is performed by the top panel of the unit.  
 2- H14 maintenance is performed by the bottom panel of the unit

Date: 16/02/2022

Drawing for: LE

Checked: SL

Din-A3  
 Escala: 1:10

Model: AIR+ 50

Version: V.03

Product code: VTPR5000000001

