

# MODEL: AIR PRO 3000 FR CONSTANT AIRFLOW 3000 m3/h

## FAN CONFIGURATION:

N° of fans: 3  
 Motor type: EC(Electronically Comuted)  
 Max. energy consumption: 2,25 kW  
 Power requirements: 230V/50-60Hz  
 Max. input current: 9,90 A  
 Impeller: Diam. 250 mm-Centrifugal backward curved

## FILTER CONFIGURATION:

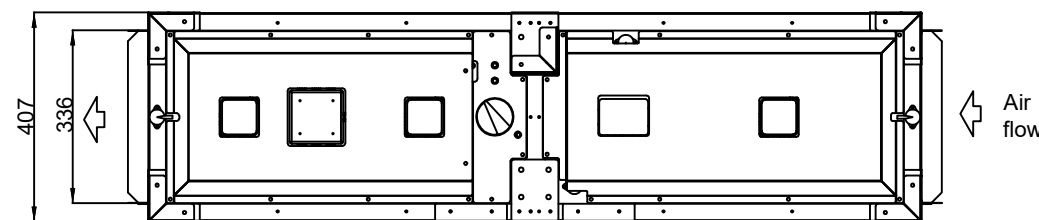
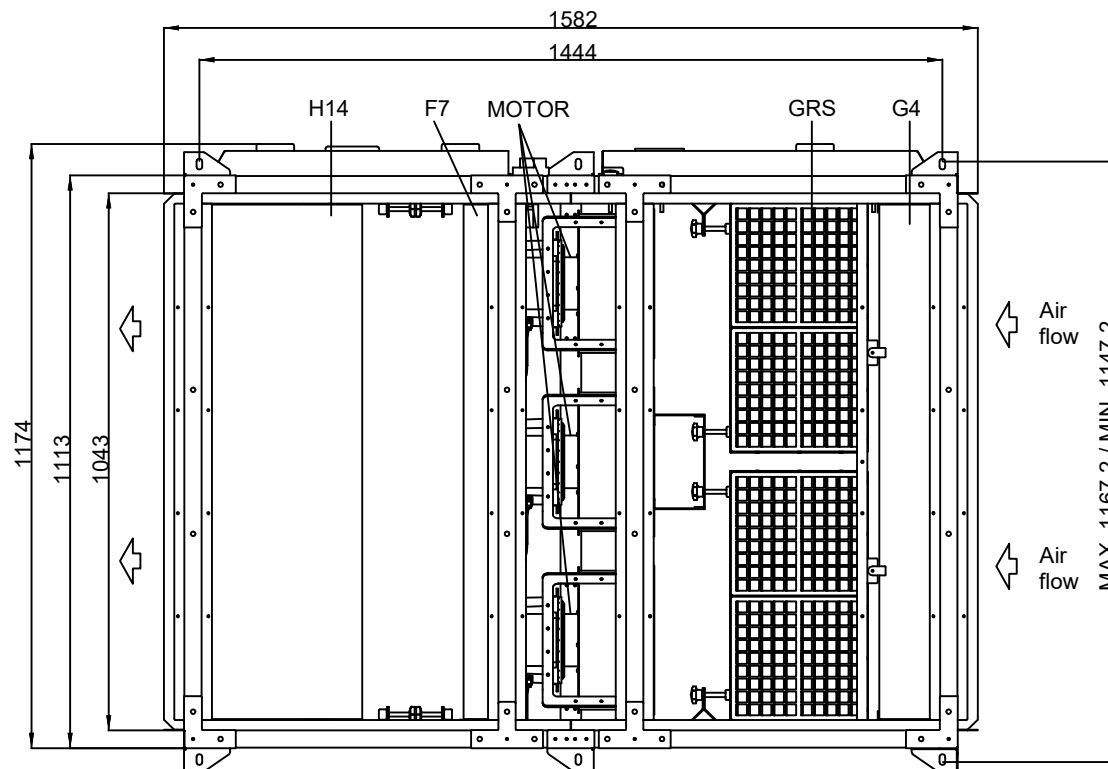
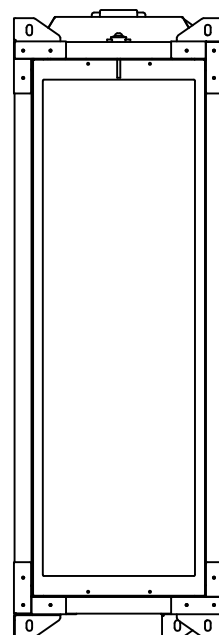
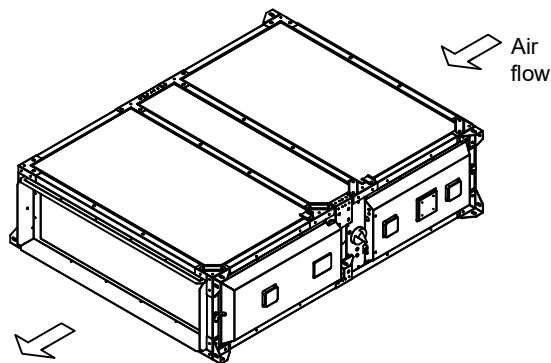
Pre-filter: Coarse 60% (ISO 16890) / G4 (EN779)  
 Gas & odor filter: GRSsystem 2 [V]  
 Particle filter: ePM1 50% (ISO16890) / F7 (EN779)  
 Absolute filter: HEPA H14 (EN1822)  
 - All frame filters in galvanized steel  
 - Absolute filter with individual number and test report

## GENERAL SPECIFICATIONS:

- Dimensions: H 407 x W 1174 x D 1582mm  
 - Box dimensions: H 430 x W 1200 x D 1600mm  
 - Net weight: 180Kg / Gross weight: 185Kg  
 - Housing material: non off-gasing impact-resistant in galvanized steel painted in white RAL9016  
 - Insulating foam according to fire test NF P 92-501.

## FEATURES:

- Plug & play: pre-installed pressure switches & power cord pre-installed IAQ controller cable (ON/OFF & advisor filter)  
 - Filter life monitor: H14 + GRS2 + G4; filters change status LED's  
 - Air intake and outlet ready to duct (1043x336mm).  
 - Includes 10 brackets for ceiling fixation.



### ENDURANCE BENCH

	G4	GRS	H14	F7	Back pressure
Initial	83Pa	370Pa	264Pa	137Pa	227Pa
Half life	131Pa	370Pa	357Pa	189Pa	34Pa
Change	180Pa	7200h	450Pa	240Pa	-

### ACOUSTIC LEVELS AT 3000 m3/h with clean filters & no ducted

SOUND LEVELS		63Hz	125Hz	250Hz	500Hz	1000Hz	2000Hz	4000Hz	8000Hz	dB(A)
FAN SOUND POWER	AIR INTAKE	82.2	84	86.7	83.2	77.8	74.2	71.3	66.2	84.5
	AIR OUTLET	87.2	89	91.7	88.2	82.8	79.2	76.3	71.2	89.5
RADIATED SOUND POWER		79.9	81.7	84.4	80.9	75.5	71.9	69	63.9	82.1
SOUND PRESSURE (1,5m)		65.4	67.2	69.9	66.4	61	57.4	54.5	49.4	67.6

\* Calculations after fan sound power data sheet

## NOTES:

- The filter maintenance is performed through the bottom panels of the unit
- Possibility of integration of an indoor quality monitoring and control system by ZONAIR3D

## PERFORMANCE:

- Constant airflow 3000 m3/h
- Air delivery certified (tested with all filters installed)
- Leak tested (individually tested with all filters installed)

Version: V.01  
 Product code:2000000745015  
 Date: 13/04/2021  
 Drawing for: LEM  
 Checked: SL

Model: AIR PRO 3000 FR

